

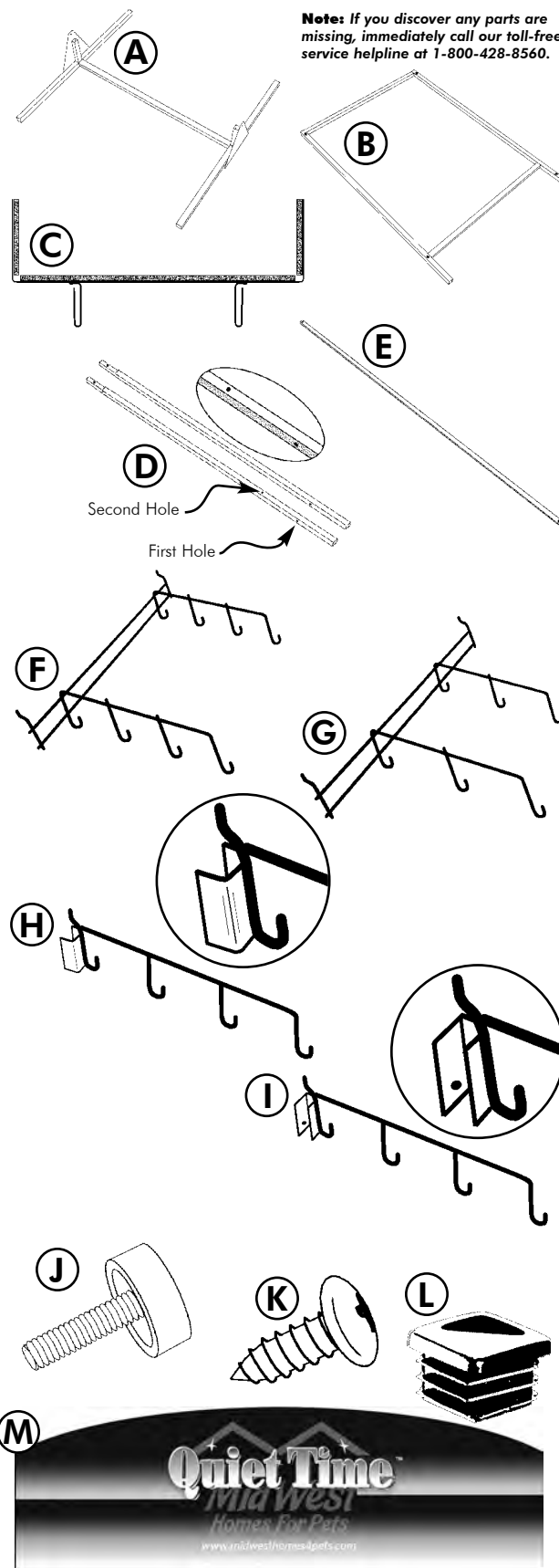
## Assembly Instructions for 40200 Quiet Time Display Rack

### Parts Identification

Illustrations not shown to scale and may vary slightly from actual product

- (A) Base**  
One piece unit into which the Posts will be inserted.
- (B) Top Frame**  
One piece unit which fits on the Posts. The "front" of the Top Frame is identified by the four large holes.
- (C) Sign Frame**  
Fits into the Top Frame. Header Sign slips into the channels.
- (D) Posts (2)**  
Inserted into Base. One Post has 2 holes; after being secured, the side of the assembly with the second hole will become the "back."
- (E) Cross Strap**  
Attaches to back of right Post and across to left of Top Frame for added stability.
- (F) Front Hook Rack (2)**  
Attaches to the top of the front of the Top Frame. Designed to hold four 22" beds on the left and 24" beds on the right.
- (G) Back Hook Rack**  
Attaches to the top of the back of the Top Frame. Designed to hold any combination of three 42", 48", 54".
- (H) Single Front Hook Rack (4)**  
Two attach to the middle of the front of the Top Frame. Designed to hold four 36" on the left and 30" on the right. See detail illustration: "C" bracket faces out. The additional two racks can be used on the sides for additional display.
- (I) Single Back Hook Rack (2)**  
Attach to the back to hold additional beds. Designed to hold four 36" on the left and 30" on the right. See detail illustration: "C" bracket faces to the left.
- (J) Leveler Feet (4)**  
Screw into bottom of Base to allow for precise leveling.
- (K) Screws (4)**  
Used to secure the Posts to the Base and to attach the Cross Strap.
- (L) Caps (4)**  
Insert into open ends of Base.
- (M) Header**  
Double-sided Header card which slips into Sign Frame.

**Note:** If you discover any parts are missing, immediately call our toll-free service helpline at 1-800-428-8560.



**Before you begin...**decide how you want to display the Quiet Time Pet Beds. You have two options of setting up the unit:

**OPTION 1**

1. To display 4-22" beds, 4-24" beds, 4-30" beds and 4-36" beds on the front and 3 of any combination of 42", 48" and/or 54".

If you choose option 1, you will not use one of the two "F" Front Hook Racks, or the two "I" Single Back Hook Racks.

**OPTION 2**

2. To display 4-22" beds, 4-24" beds, 4-30" beds and 4-36" beds on the front and on the back. This is ideal when displaying different styles of Quiet Time Pet Beds.

If you choose option 2, you will not use "G" Back Hook Rack.

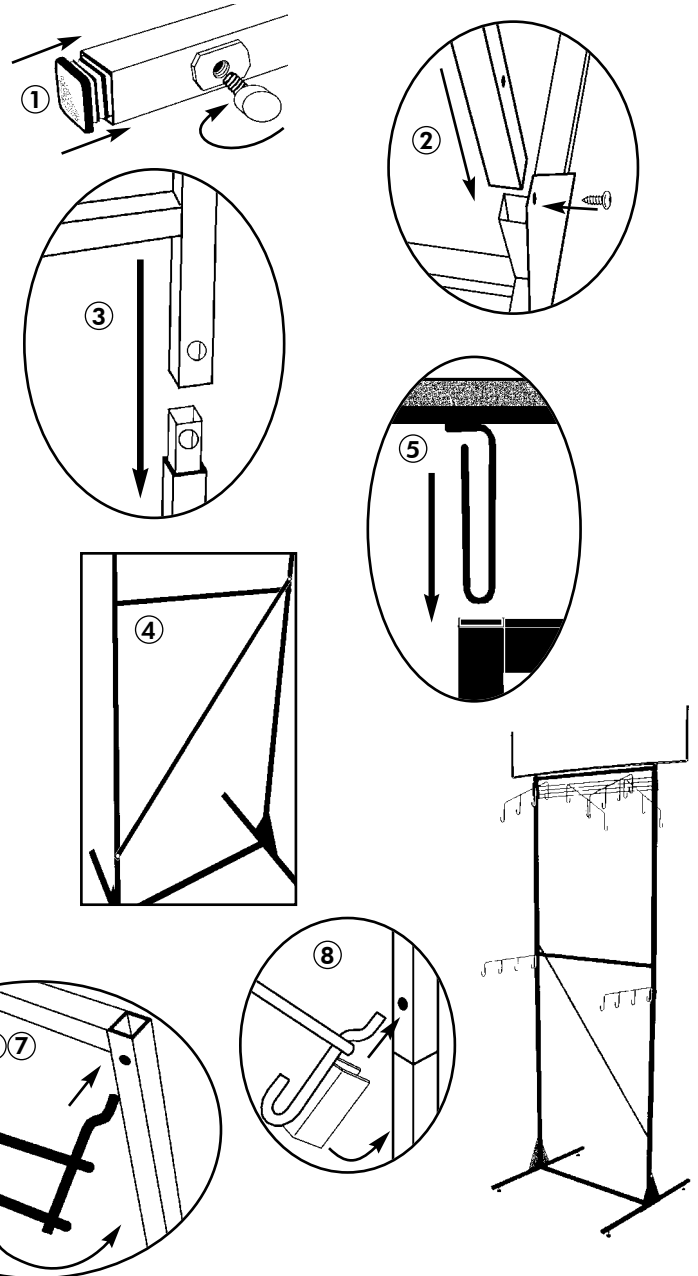
**If you choose Option 1, proceed below. If you choose Option 2, proceed to page 3.**

**Assembly Instructions - Option 1**

Illustrations not shown to scale and may vary slightly from actual product

**Remove the contents of the packing carton. Check to make sure no parts are missing.**

- 1** Insert the four Caps (K) and screw the four Leveler Feet (I) into the bottom of the Base (A).
- 2** Insert the Posts into either side of the Base so that the holes near the bottom face out to metal plates on the base. Secure with two Screws (J). Note: The side of this assembly that has the second hole will be the "back" of the rack.
- 3** Insert the Top Frame (B) into the Post/Base Assembly. Be sure that the side of the Top Frame that has four large holes faces the front.
- 4** Secure the Cross Strap (E) across the back of the rack with the 2 remaining Screws.
- 5** Insert the Sign Frame (C) into the top of the Top Frame.
- 6** Insert the Front Hook Rack (F) into the uppermost holes of the front of the Top Frame.
- 7** Insert the Back Hook Rack (G) into the uppermost holes of the back of the Top Frame.
- 8** Insert the Single Hook Racks (H) into the holes on both sides of the front of the Top Frame.
- 9** Insert Header (L) into the Sign Frame.



# Assembly Instructions - Option 2

Illustrations not shown to scale and may vary slightly from actual product

Remove the contents of the packing carton.  
Check to make sure no parts are missing.

**1** Insert the four Caps (K) and screw the four Leveler Feet (I) into the bottom of the Base (A).

**2** Insert the Posts into either side of the Base so that the holes near the bottom face out to metal plates on the base. Secure with two Screws (J). *Note: The side of this assembly that has the second hole will be the "back" of the rack.*

**3** Insert the Top Frame (B) into the Post/Base Assembly. Be sure that the side of the Top Frame that has four large holes faces the front.

**4** Insert the Sign Frame (C) into the top of the Top Frame.

**5** Insert one of the Front Hook Racks (F) into the uppermost holes of the front of the Top Frame.

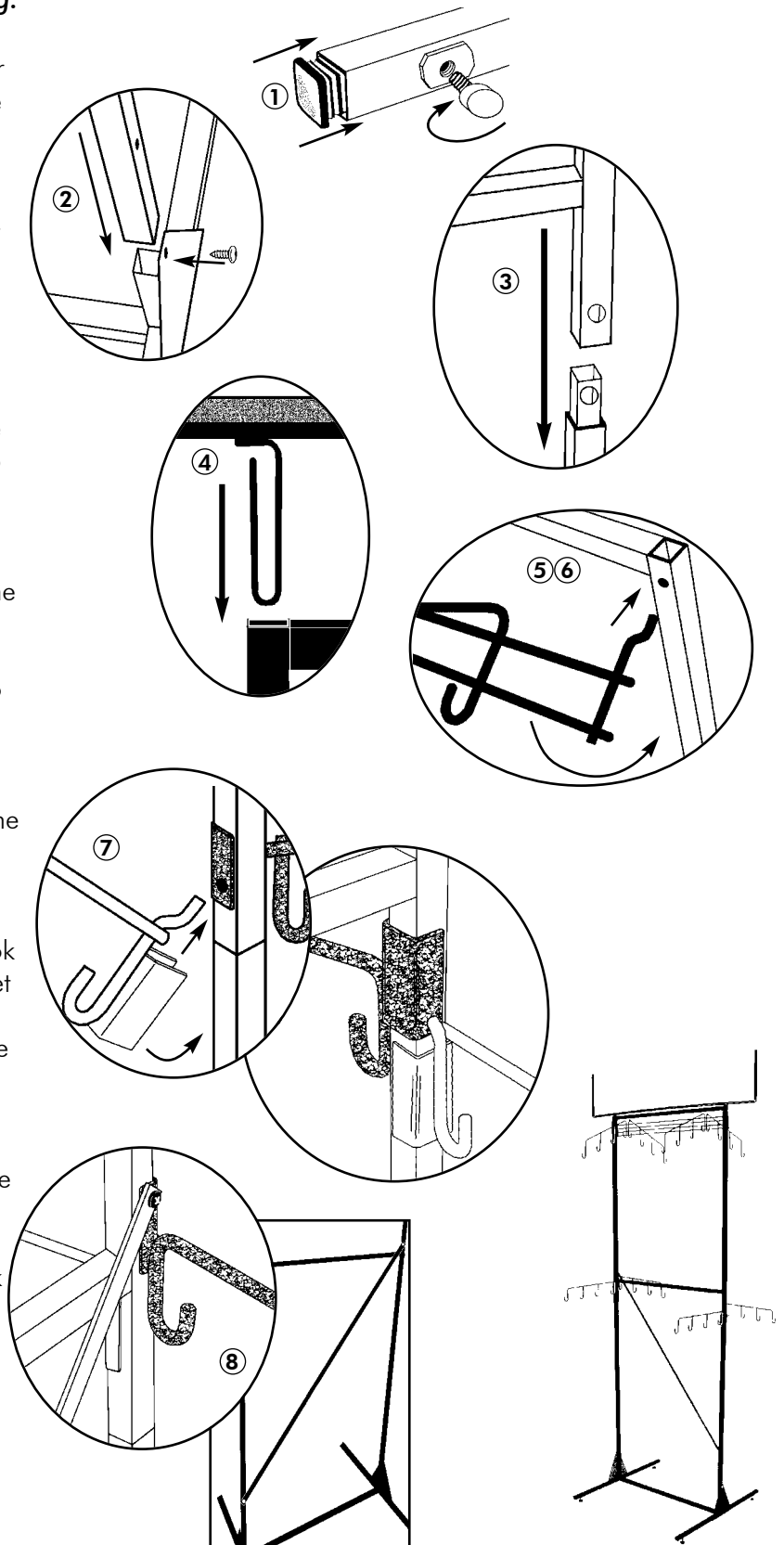
**6** Insert the other Front Hook Rack (F) into the uppermost holes of the back of the Top Frame.

**7** While holding one of the Single Back Hook Rack (I) in place so the hole on the bracket matches up to the hole in the tube on the front of the display, insert one of the Single Front Hook Racks (H) through the corresponding holes.

**8** Repeat this step on the opposite side of the display.

**9** Secure the Cross Strap (E) across the back of the rack with the 2 remaining Screws.

**10** Insert Header (L) into the Sign Frame.



## TOLL-FREE SERVICE HELPLINE:

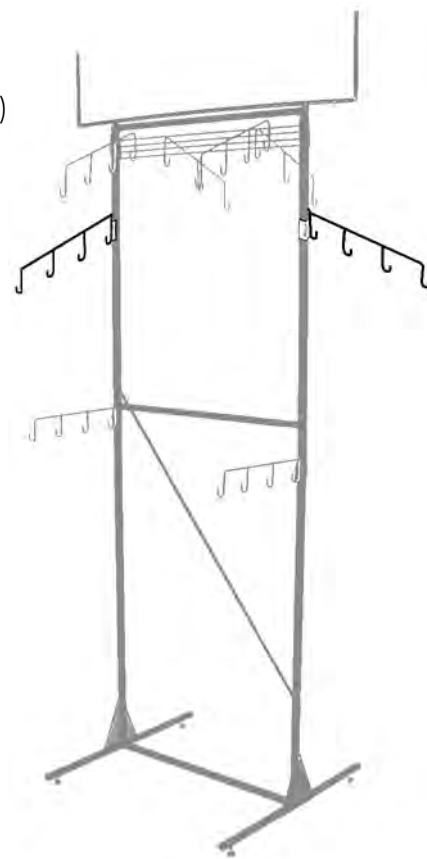
If you have any problems or questions with the assembly of this display rack, call our Service HELPLINE at **1-800-428-8560** between 9:00 am and 4:00 pm (EST) M - F.

# Assembly Instructions - Additional Side Display

Illustrations not shown to scale and may vary slightly from actual product

- 1 For additional display area, hook the remaining Single Front Hook Racks (H) in the sides of the assembled display as shown. Insert the end into the available hole on the side of the frame.

This will allow an additional 8 beds to be displayed.



## Reimbursement Instructions:

1. Order the rack(s) of your choice from your distributor.
2. Copy an invoice showing the purchase of the rack and the products that meet the "Purchase Requirements" for each rack.
3. Mail it to: **MIDWEST Display Racks  
P.O. Box 1031  
Muncie, IN 47308**
4. We will send you a check for the invoiced amount, not to exceed the current suggested dealer price.

### TOLL-FREE SERVICE HELPLINE:

If you have any problems or questions with the assembly of this display rack, call our Service HELPLINE at **1-800-428-8560** between 9:00 am and 4:00 pm (EST) M - F.

P.O. Box 1031, Muncie, IN 47308  
800 428 8560  
[www.midwesthomes4pets.com](http://www.midwesthomes4pets.com)

  
**MidWest**<sup>®</sup>  
**Homes For Pets**